



H0FD 40A-630A

Class of operation: aR

保护特性: aR

Standard/ 标准: IEC 60269-4, GB/T 13539.4, UL248-13

INTERRUPTING CAPACITY/ 分断能力:

200,000 amperes at 690V AC

TECHNICAL PARAMETERS/ 技术参数:

PART NO. 目录编号		额定电流 Rated Current	额定电压 Rated Voltage
Type-A Type center Indicator for micro	Type-C Visual Indicator		
H0FD40	H0FD40C	40A	
H0FD50	H0FD50C	50A	
H0FD63	H0FD63C	63A	
H0FD80	H0FD80C	80A	
H0FD100	H0FD100C	100A	
H0FD125	H0FD125C	125A	
H0FD160	H0FD160C	160A	
H0FD200	H0FD200C	200A	690V AC
H0FD250	H0FD250C	250A	
H0FD315	H0FD315C	315A	
H0FD350	H0FD350C	350A	
H0FD400	H0FD400C	400A	
H0FD450	H0FD450C	450A	
H0FD500	H0FD500C	500A	
H0FD550	H0FD550C	550A	
H0FD630	H0FD630C	630A	

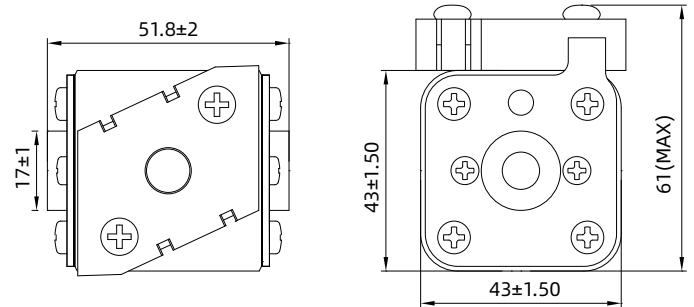
● DENOTES FOR APPROVAL
○ DENOTES FOR PENDING

● 表示已取得安全认证
○ 表示正在申请安全认证

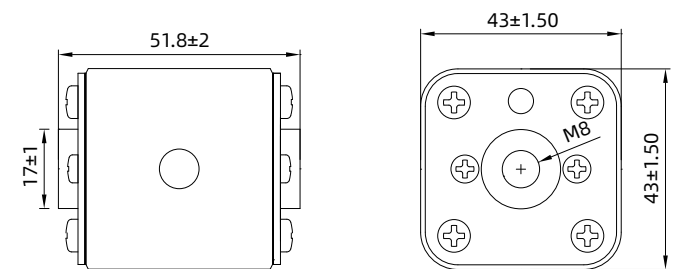
Dimensions/ 尺寸:

Unit 单位: mm

Type-A



Type-C



目录编号 PART NO.

可选配件 Optional Accessory

微动开关 Microswitches

H0FDXXX

HMC-01